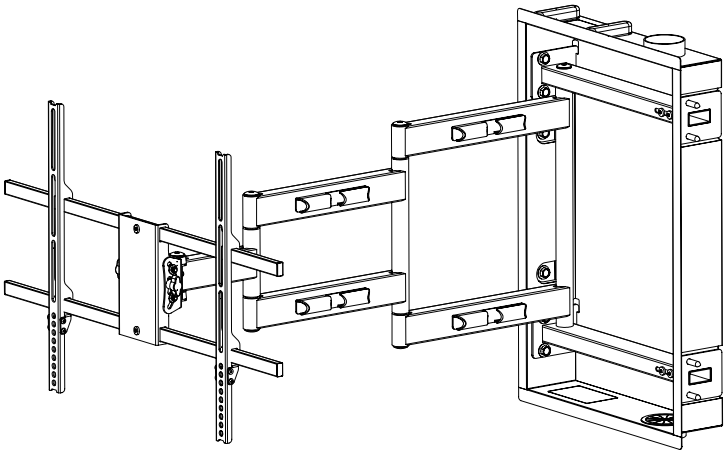




Recessed TV Wall Mount Instruction Manual



SKU: MOUNT-REC01



Scan the QR code with your mobile device or follow the link for helpful videos and specifications related to this product.

<https://vivo-us.com/products/mount-rec01>

GET IN TOUCH | Monday-Friday from 7:00am-7:00pm CST



help@vivo-us.com



www.vivo-us.com
Chat live with an agent!

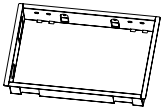


309-278-5303

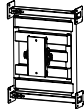
⚠️ WARNING!

If you do not understand these directions, or if you have any doubts about the safety of the installation, please call a qualified technician. Check carefully to make sure there are no missing or defective parts. Improper installation may cause damage or serious injury. Do not use this product for any purpose that is not explicitly specified in this manual. Do not exceed weight capacity. We cannot be liable for damage or injury caused by improper mounting, incorrect assembly or inappropriate use.

PACKAGE CONTENTS



A (x1)
Mount



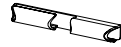
B (x1)
Arm



C (x2)
Bracket Rail



D (x2)
VESA Bracket



E (x4)
Cable Management
Clip



F (x2)
Cable Grommet



G (x4)
Spacer Block



H (x4)
Adhesive Pad



S-A (x4)
M4x6mm Screw



S-B (x2)
M6x12mm Screw



M-A (x4)
M4x12mm Screw



M-B (x4)
M4x30mm Screw



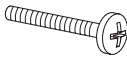
M-C (x4)
M5x12mm Screw



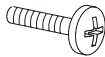
M-D (x4)
M5x30mm Screw



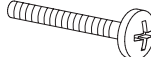
M-E (x4)
M6x12mm Screw



M-F (x4)
M6x30mm Screw



M-G (x4)
M8x16mm Screw



M-H (x4)
M8x30mm Screw



M-I (x4)
M6 Washer



M-J (x4)
M8 Spacer



W-A (x12)
M8x30mm Screw



W-B (x12)
Concrete Anchor



W-C (x12)
M8 Washer



T-A (x1)
4mm Allen Wrench



T-B (x1)
Bubble Level

NOTE: NOT ALL HARDWARE INCLUDED WILL BE USED

⚠️ CAUTION!

DO NOT INSTALL INTO DRYWALL ALONE. VERIFY YOUR WALL CONSTRUCTION. USE WOOD STUDS TO MOUNT. We include mounting for brick and concrete walls. If unsure, please contact us at vivo-us.com, email at help@vivo-us.com, or call us at 309-278-5303.

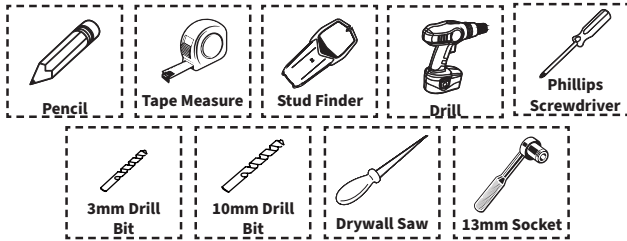
⚠️ WARNING: CHOKING HAZARD

SMALL PARTS - NOT FOR CHILDREN UNDER 3 YEARS. ADULT SUPERVISION IS REQUIRED.

DO NOT EXCEED WEIGHT CAPACITY.
Failure to do so may result in serious injury.



TOOLS NEEDED

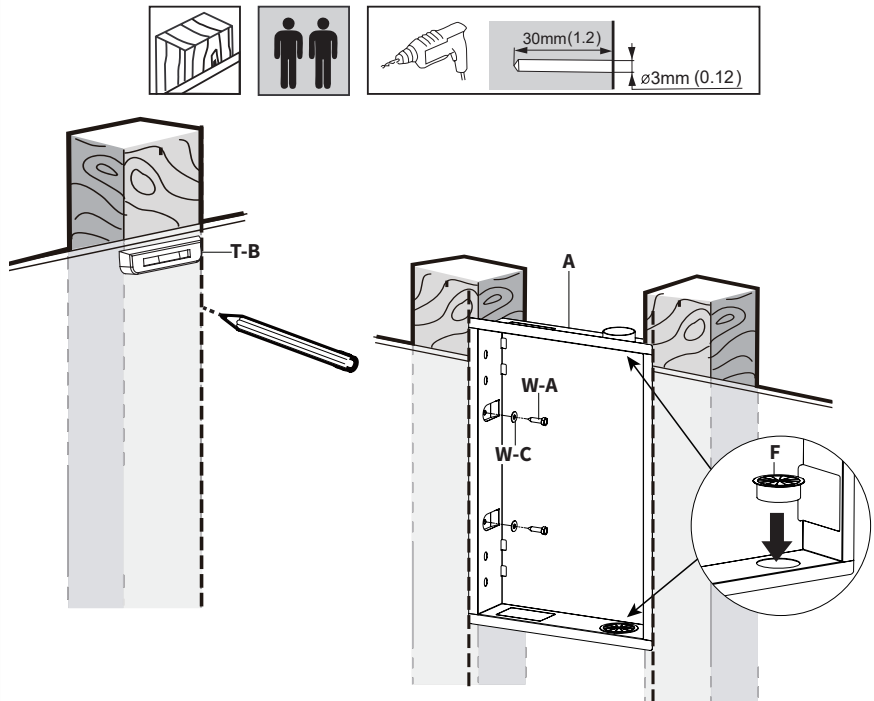


ASSEMBLY STEPS

STEP 1 (Option A)

Wood Stud Installation

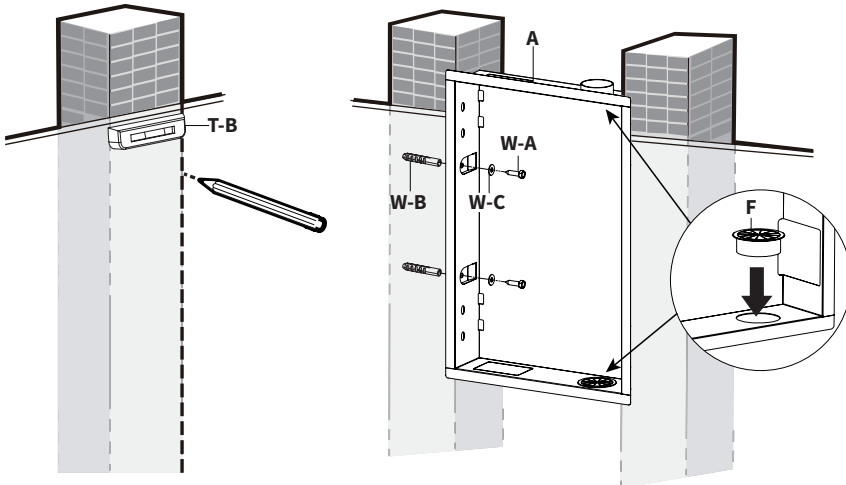
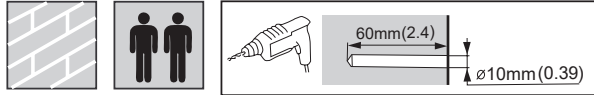
Find stud locations using a stud finder and mark the edge of each stud. Hold the mount up between two studs at the desired height with the back side touching the wall and trace the perimeter using a pencil. Cut and remove the drywall section. Place Mount (A) in the wall and mark all six of the mounting holes on the left stud using a pencil. The mount can be removed prior to drilling the marked holes. Using a 3mm (1/8") drill bit, drill marked holes approximately 30mm (1.2") deep. Install Mount (A) to the left stud in the two center mounting holes using M8x30mm Screws (W-A), M8 Washers (W-C), and a 13mm socket wrench. Install Cable Grommets (F) to top and bottom of Mount (A).



STEP 1 (Option B)

Concrete/Brick Installation

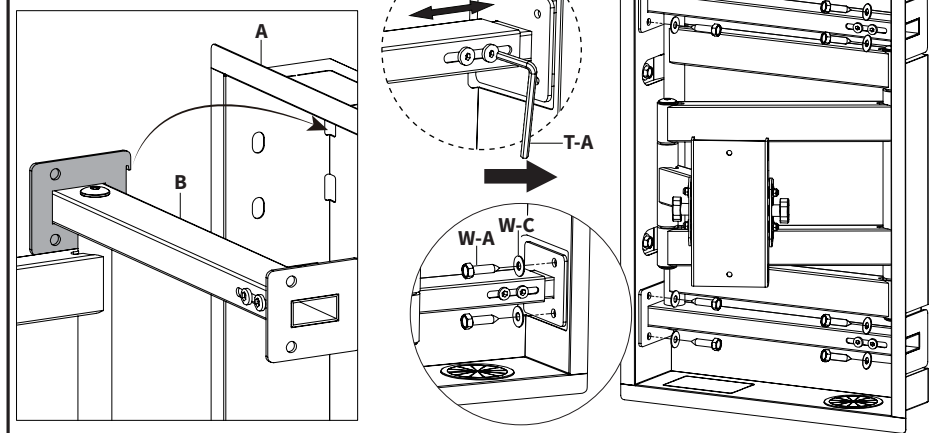
Find the edges the concrete/brick pillar. If covered in drywall, hold Mount (A) with Bubble Level (T-B) up to the desired mounting location with the back side touching the wall and trace the perimeter using a pencil. Cut and remove the drywall section. Mark all six of the mounting holes on the left pillar using a marker then remove mount from the wall. Using a 10 mm (3/8") drill bit, drill mounting holes approximately 60mm (2.4") deep. Insert Concrete Anchors (W-B) into all of the drilled holes. Place Mount (A) back into the wall and install to the left pillar using the two center mounting holes, M8x30mm Screws (W-A), M8 Washers (W-C), and a 13mm socket wrench. Install Cable Grommets (F) to top and bottom of Mount (A).



STEP 2 (Option A)

Wood Stud Installation

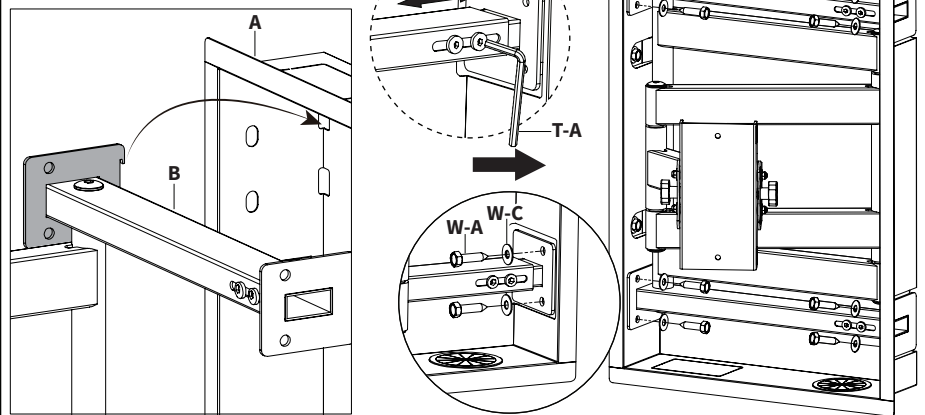
Slide the tabs on the left side of Arm (B) into the slots on Mount (A). Loosen the screws on Arm (B) using 4mm Allen Wrench (T-A). Extend the arms until it reaches the right stud. Make sure the arm is level then tighten screws. Mark all 4 of the mounting holes on the right stud using a pencil. The mount can be removed prior to drilling the marked holes. Using a 3mm (1/8") drill bit, drill mounting holes approximately 30mm (1.2") deep. Secure Arm (B) to both pillars using M8x30mm Screws (W-A), M8 Washers (W-C), and a 13mm socket wrench.



STEP 2 (Option B)

Concrete/Brick Installation

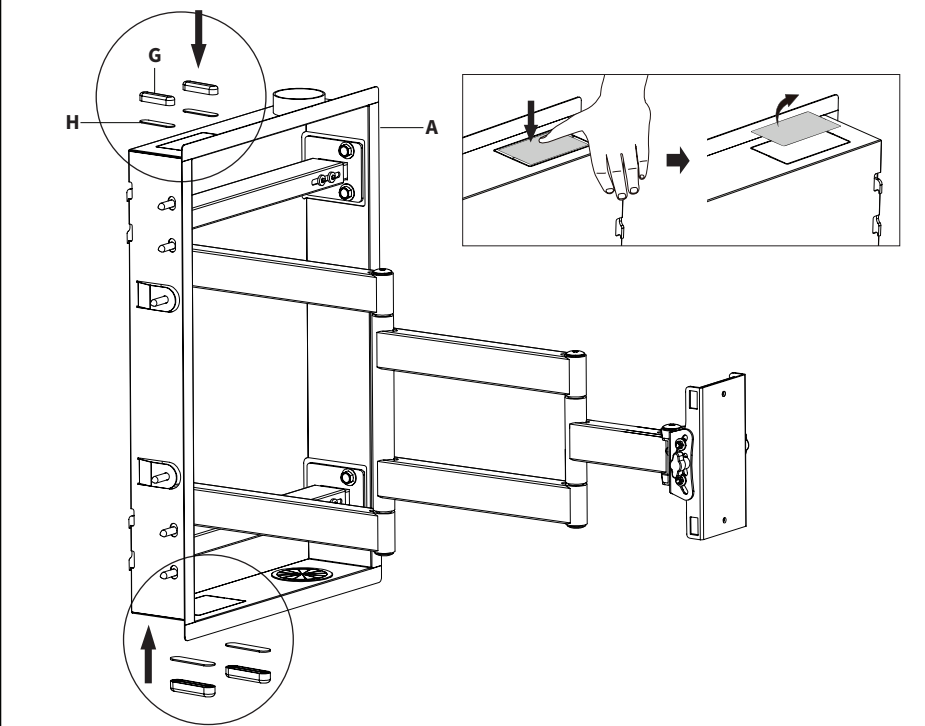
Slide the tabs on the left side of Arm (B) into the slots on Mount (A). Loosen the screws on Arm (B) using 4mm Allen Wrench (T-A). Extend the arms until it reaches the right pillar. Make sure the arm is level then tighten screws. Mark all 4 mounting holes on right pillar using a marker. Loosen the screws on Arm (B) and remove Arm (B) from Mount (A). Using a 10 mm (3/8") drill bit, drill mounting holes approximately 60mm (2.4") deep. Insert Concrete Anchors (W-B) into all of the drilled holes. Reinstall Arm (B) to Mount (A) and tighten screws on Arm (B) using 4mm Allen Wrench (T-A). Secure Arm (B) to both pillars using M8x30mm Screws (W-A), M8 Washers (W-C), and a 13mm socket wrench.



STEP 3 (Optional)

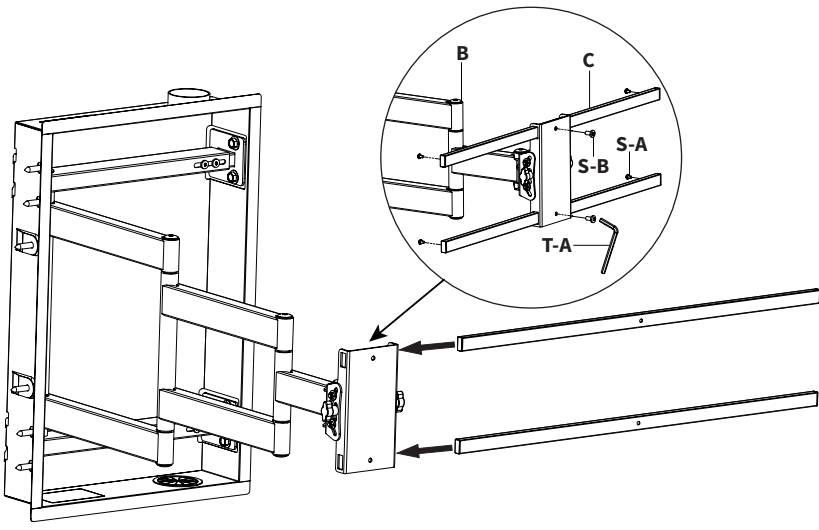
Power Receptacle Installation

If installing a power receptacle, remove the square plate by bending the metal back and forth. Attach Adhesive Pads (H) to Spacer Blocks (G) and then onto Mount (A) offset from the cutout. We recommend using a recessed outlet receptacle to provide more space for device plugs.



STEP 4

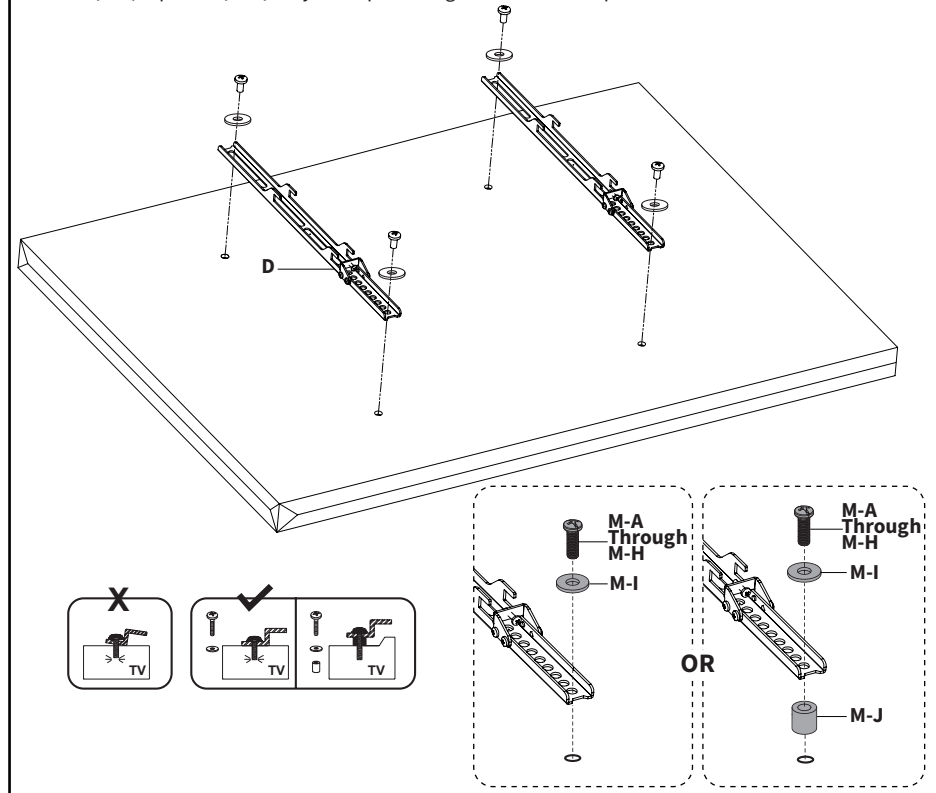
Secure Bracket Rails (C) to Arm (B) using M6x12mm Screws (S-B) and 4mm Allen Wrench (T-A). Insert M4x6mm Screws (S-A) into the back of Bracket Rails (C) using a Phillips screwdriver.



STEP 5 (Option A)

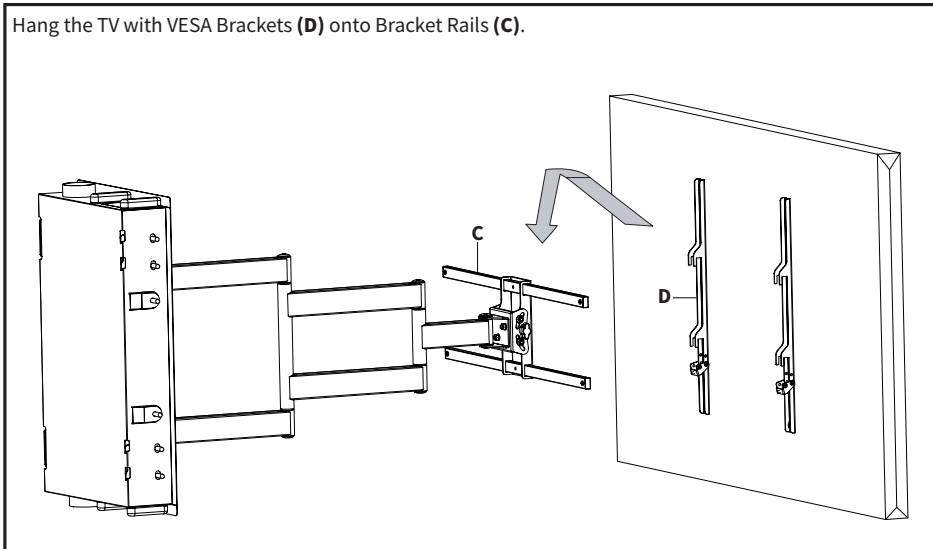
Flat Back Monitor

Attach VESA Brackets (D) to the back of the TV using combination of Screws (M-A through M-H) and M6 Washers (M-I). Spacers (M-J) may be required. Tighten with a Phillips screwdriver.



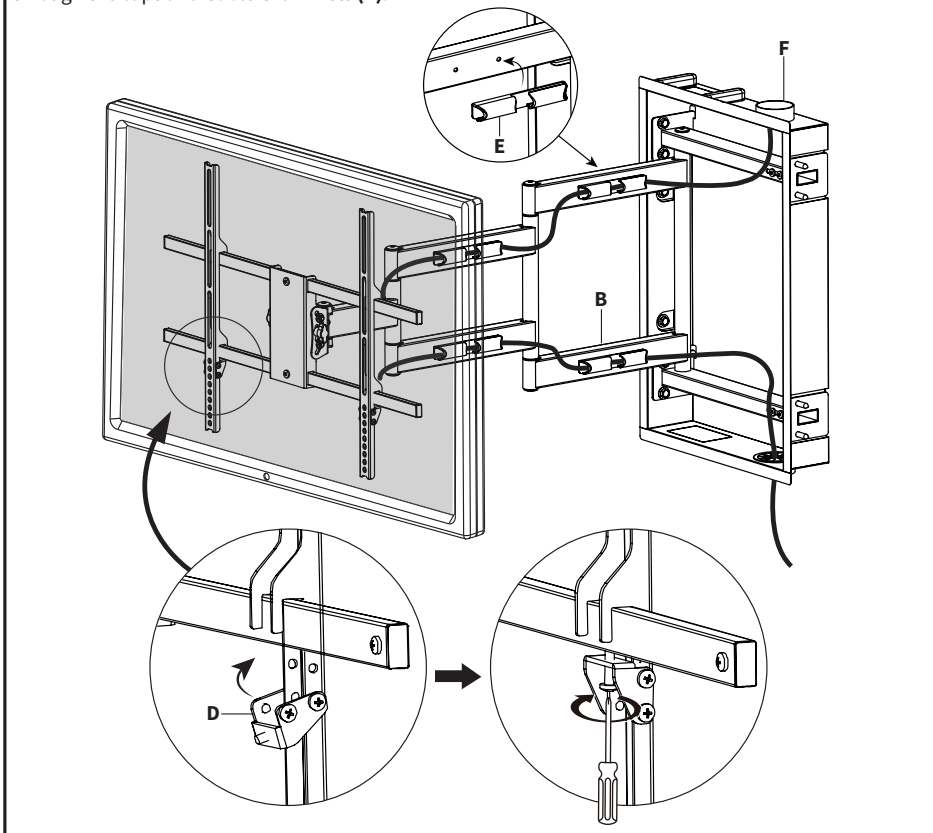
STEP 6

Hang the TV with VESA Brackets (D) onto Bracket Rails (C).



STEP 7

Flip the latch on the underside of VESA Brackets (D) and tighten the security screws using a Phillips screwdriver to secure them in place. Install Cable Management Clips (E) onto Arm (B) and route cables through the clips and Cable Grommets (F).





Open **Monday - Friday 7:00am - 7:00pm** CST,
our dedicated support team can offer immediate assistance with rapid response times. If any parts are received damaged or defective, please contact us. We are happy to replace parts to ensure you have a fully functioning product.



309-278-5303

AVG. RESOLUTION TIME (*within office hrs*): **5M 4S**



www.vivo-us.com
Chat live with an agent!

AVG. RESOLUTION TIME (*within office hrs*): **< 15 M**



help@vivo-us.com

AVG. RESPONSE TIME (*within office hrs*): **1HR 8M**

- 23% within < 15m
- 38% within < 30m
- 61% within < 1hr
- 83% within < 2hr
- 92% within < 3hr